

NORTH QUEENSLAND

wedding & formal

| expo



Sunday 19th February, 11am – 3pm

The Pier Cairns

Showcasing North Queensland's Finest



How Can My Business Benefit From Exhibiting?

Top quality visitors & Venue

1,500 visitors from 4 different regions of QLD & NT

Increased levels of face-to-face interaction with a diverse group of perspective customers due to the central location of the venue.

Real business done at the show

The expo is not only a great opportunity to do network but there are also real opportunities to do business with 98% of exhibitors generating new business at the show.

Catch up on the latest trends

Each year exhibitors use the expo to catch up and discuss the latest trends and developments in the wedding and formal industry.

Perfect opportunity to showcase the latest trend

As well as having a space within the exhibition, utilise the value add marketing via the show bags, website and Cairns Eye special edition.

Maximise your time and money

On the one day of the show you will gain access to more customers and suppliers than you will in any other sales or marketing activity you do all year.

It is a proven fact that exhibitions provide the greatest return on investment (ROI) for any marketing activity



Exhibiting Options

Choose the style and layout that best positions your company for maximum exposure on show day....

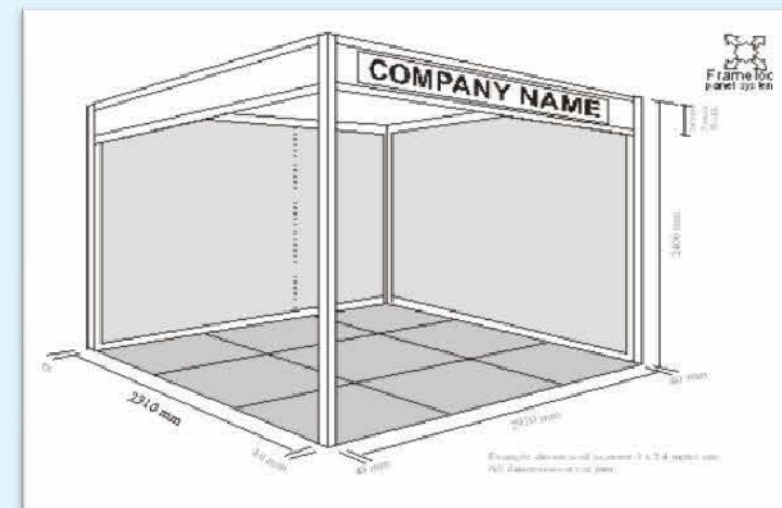
3m x 2.4m White Booth



Package Details: \$850 GST incl.

- 3 x White Melamine walls (2920mm x 2355mm)
- 2 x 60 Watt Directional Spotlights,
- 1 x 4amp Power Point
- 1 x Company Sign
- 1 x 1.8m Trestle Table
- 2 x Black Folding Chairs

Corner positions have 2 walls with 2 open sides



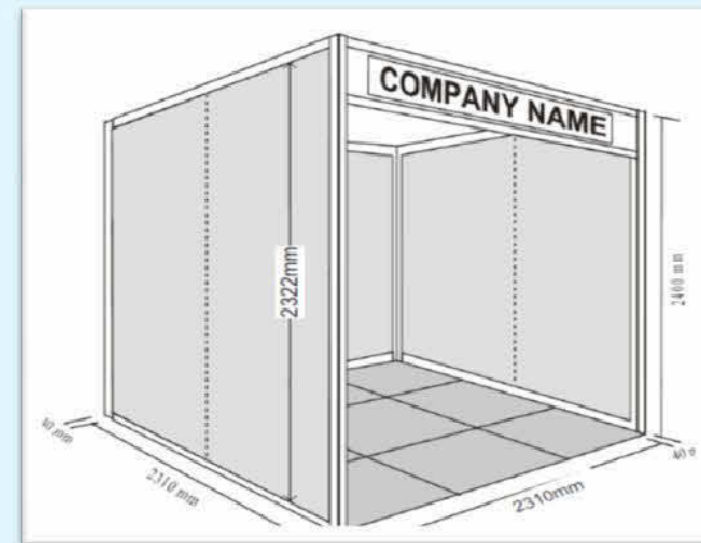
2.4m x 2.4m White Booth



Package Details: \$750 GST incl.

- 3 x White Melamine walls (2355mm x 2355mm)
- 2 x 60 Watt Directional Spotlights,
- 1 x 4amp Power Point
- 1 x Company Sign
- 1 x 1.8m Trestle Table
- 2 x Black Folding Chairs

Corner positions have 2 walls with 2 open sides

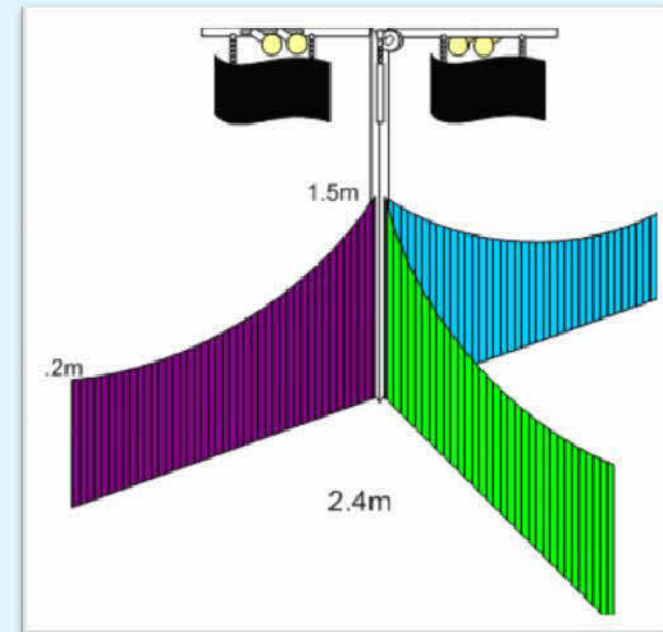


2.4m x 2.4m Tropical Booth



Package Details: \$700 GST Incl.

- 2 x Colour bond corrugated walls (1500mm x 1200mm x 2400mm)
- 2 x 60 Watt Directional Spotlights,
- 1 x 4amp Power Point
- 1 x Company Sign
- 1 x 1.8m Trestle Table
- 2 x Black Folding Chairs



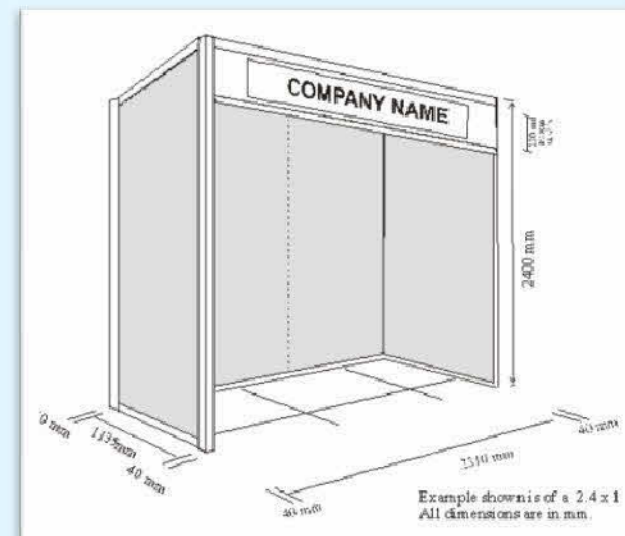
2.4m x 1.2m White Booth



Package Details: \$450 GST Incl.

- 3 x White Melamine walls (2355mm x 1130mm)
- 2 x 60 Watt Directional Spotlights,
- 1 x 4amp Power Point
- 1 x Company Sign
- 1 x 1.8m Trestle Table
- 2 x Black Folding Chairs

Corner positions have 2 walls with 2 open sides

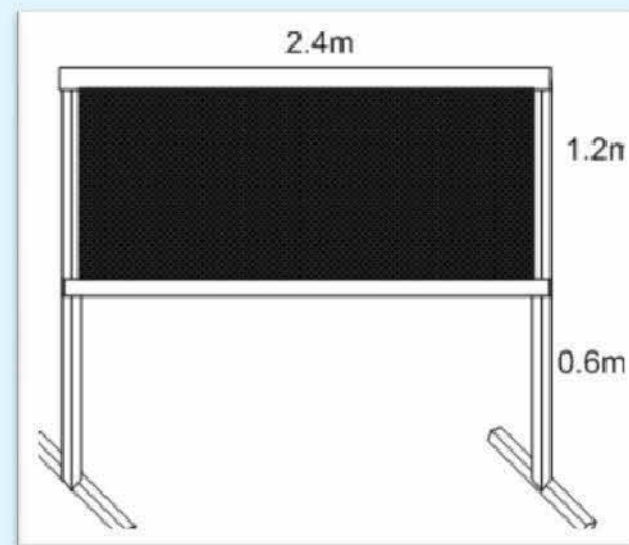


2.4m x 1.2m Board

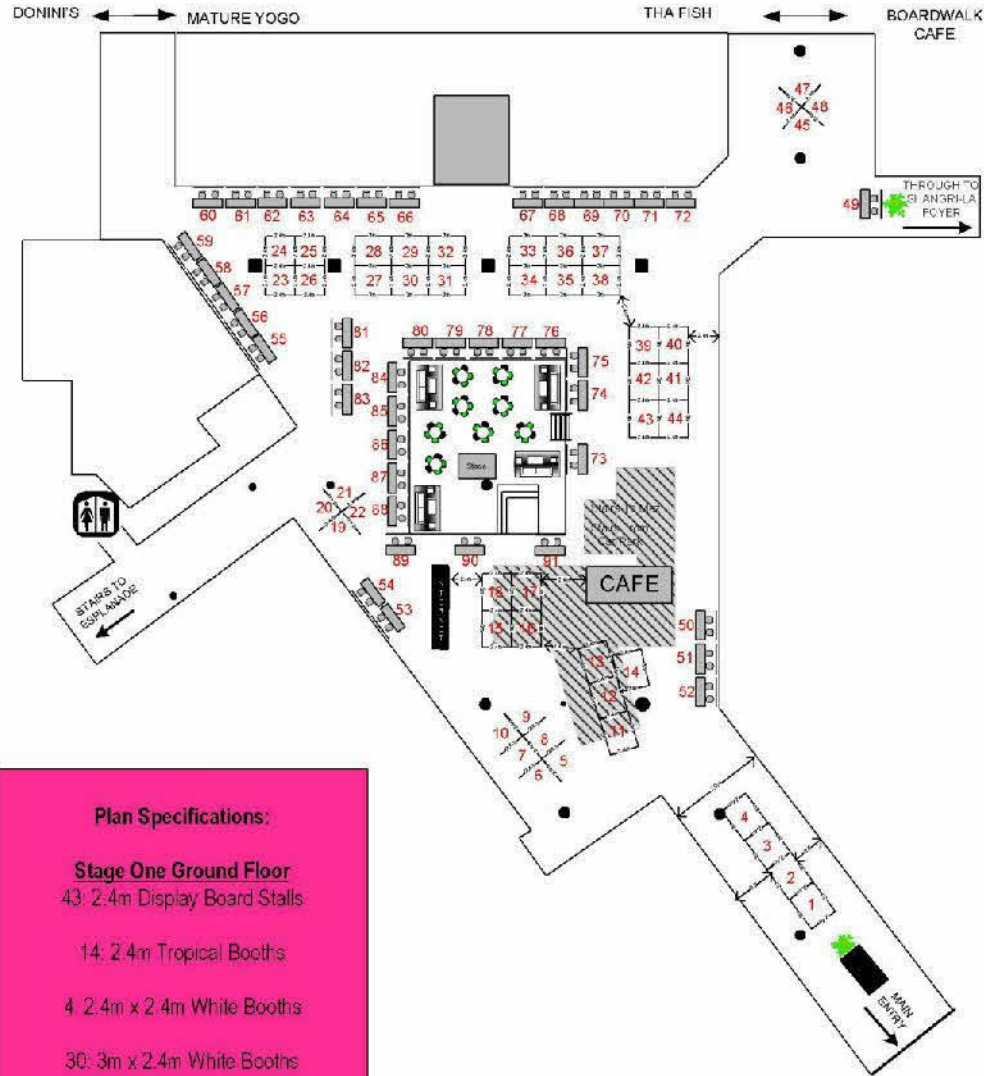


Package Details: \$365 GST Incl.

- 1 x Black velcro receptive display board (2355mm x 1130mm) Display Space with 60mm leg height
- 1 x 1.8m Trestle Table
- 2 x Black Folding Chairs
- 1 x Table Cloth – Not to the floor.



**The Pier Shopping Centre
 Ground Floor**



Plan Specifications:

Stage One Ground Floor

- 43: 2.4m Display Board Stalls
- 14: 2.4m Tropical Booths
- 4: 2.4m x 2.4m White Booths
- 30: 3m x 2.4m White Booths

